

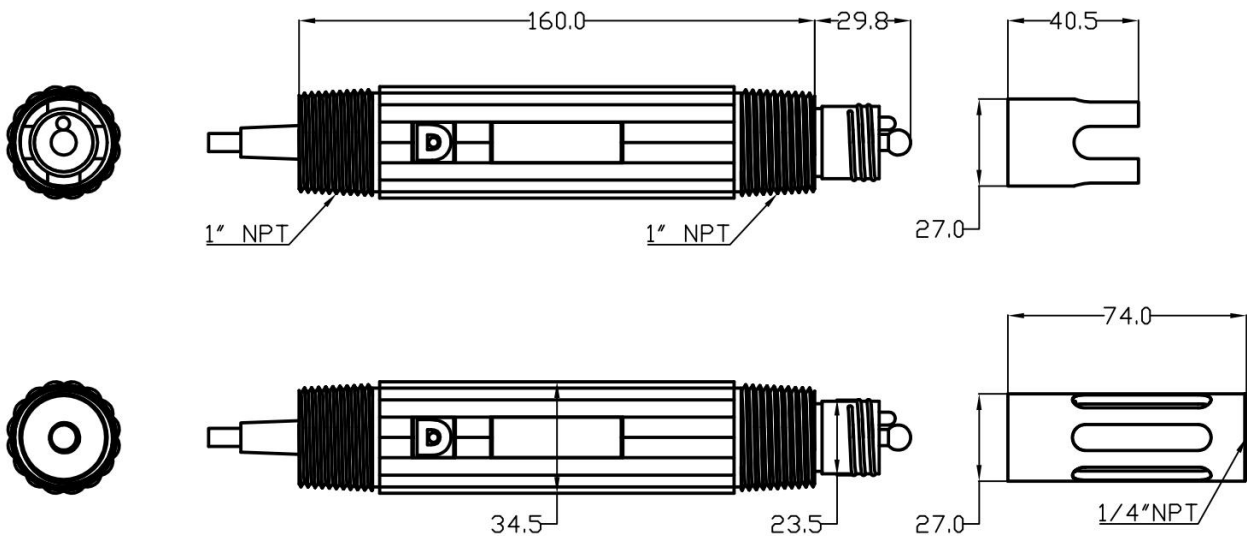


Specifications



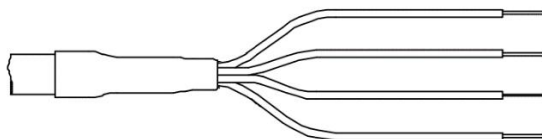
pH range	0.00 – 14.00 pH
Temperature probe	PT1000
Type of membrane glass	Transparent low impedance
Type of junction	Porous Teflon
Bridge electrolyte	Crystal
Sensor diameter	See dimensions drawing
Process connection	-1" NPT
Shaft material	PPS
Max. pressure at 25°C	6 bar
Temperature range	0 - 100 °C
Connection	Standard bare wires (other type on request)
Cable	Standard 5 m (other length on request)

Dimensions drawing



Cable Wire

All values in millimeter



- ① TRANSPARENT
- ② BLACK
- ③ WHITE
- ④ GREEN

Wiring diagram for bare wires

① TRANSPARENT	ACT
② BLACK	REF
③ WHITE	TEMP
④ GREEN	TEMP